

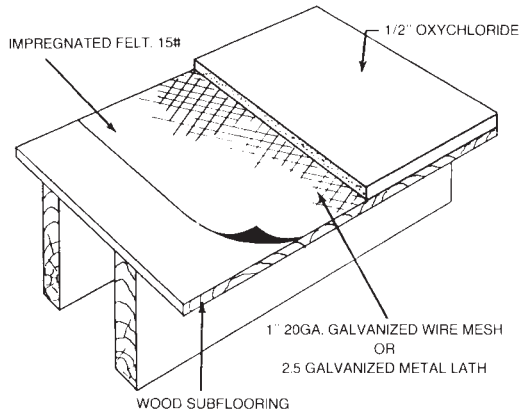


PRODUCERS OF
FLOORING AND SEALER PRODUCTS
SINCE 1923

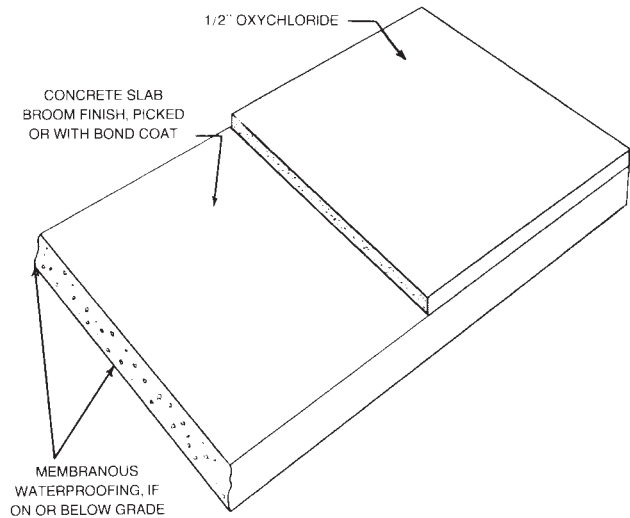
TECHNICAL BULLETIN

Diagrams of Installation for Magnesium Oxychloride Flooring

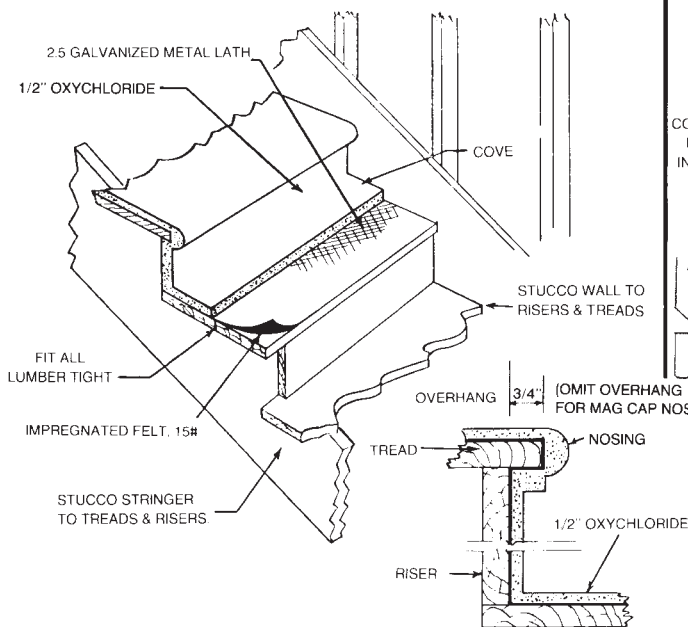
**DETAIL FOR 1/2" OXYCHLORIDE
OVER WOOD SUBFLOOR**



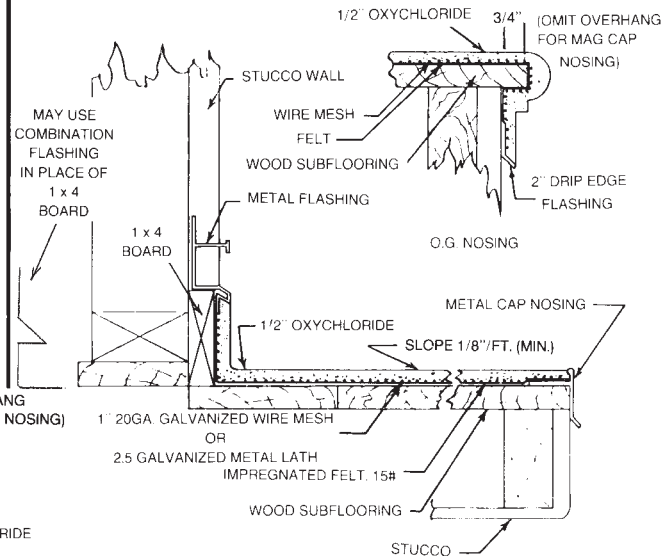
**DETAIL FOR OXYCHLORIDE
OVER CONCRETE SUBFLOOR**



DETAIL FOR STAIR CONSTRUCTION



DETAIL FOR BALCONY DECK SECTION



CORPORATE HEADQUARTERS: HILL BROTHERS CHEMICAL CO. ■ 1675 North Main Street, Orange, CA 92867 ■ (800) 994-8801

Hill Brothers Branch Offices: So. California (800) 438-8515 San Jose (800) 257-1920 Phoenix (602) 272-9363 Tucson (520) 795-9351 Salt Lake City (800) 336-3911 International Sales (800) 821-7234

The information in this technical bulletin is based on data obtained by our own research and is considered accurate. However, no warranty is expressed or implied regarding the accuracy of these data, the results to be obtained from the use thereof, or that any such use will not infringe any patent. This information is furnished upon the condition that the person receiving it shall make his own tests to determine the suitability thereof for his particular purpose. Sales specifications, although current at time of publication, are subject to change due to process improvements. For latest product specifications, contact our nearest sales office.